

## Installation Instructions

D001102029



www.assaabloy.com/dop

CE	Abloy Oy PO Box 108 80101 Joensuu Finland			20			
					DC175	EN 1154:1996/A1:2002/AC:2006 2812-CPR-AD5474	3

Dangerous substances: None

B	
EN3	≤ 950mm
EN4	≤ 1100mm

**DIN L1/R1**

Max. 165° EN3  
Max. 157° EN4

**DIN L2/R2**

Max. 165° EN3  
Max. 157° EN4

**DIN L3/R3**

Max. 180° EN3  
Max. 120° EN4

**DIN L4/R4**

Max. 117° EN3  
Max. 93° EN4

Option DCA280

DCA279

DCA278

1x

1x

1x

1x

2x

1x

2x

2x

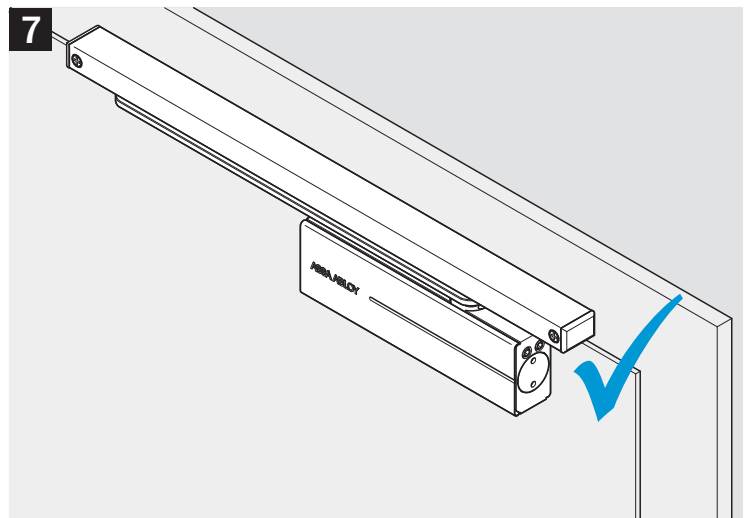
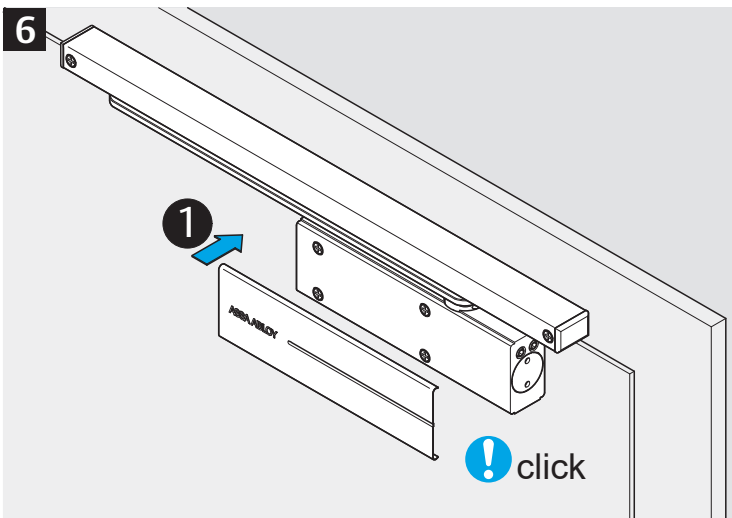
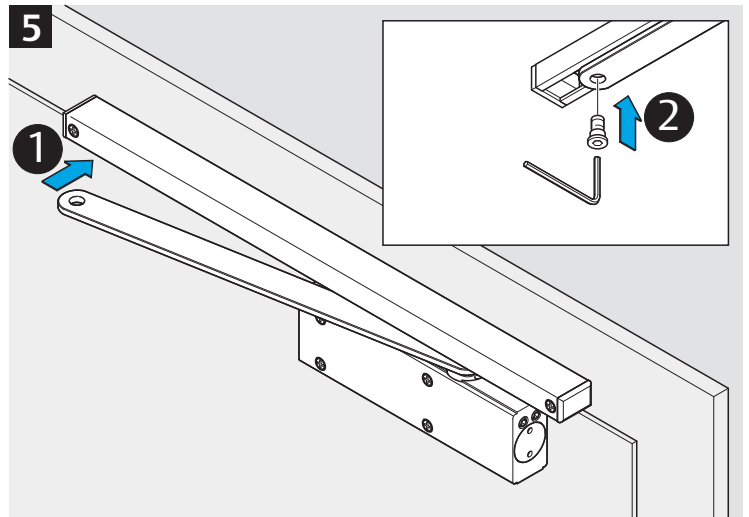
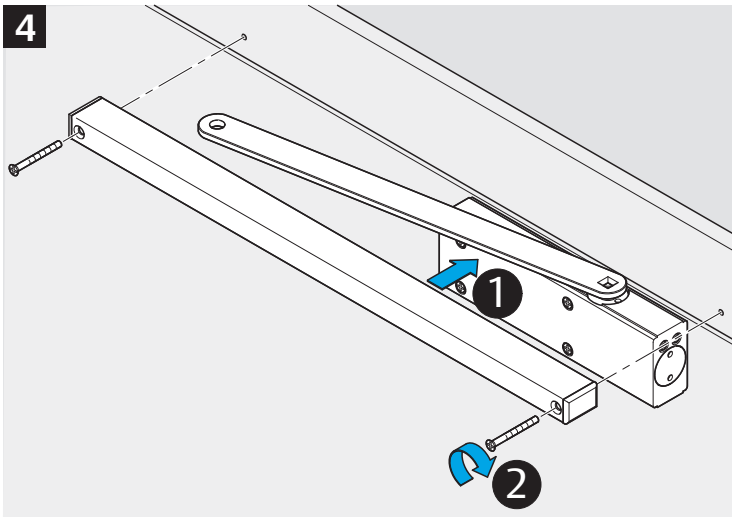
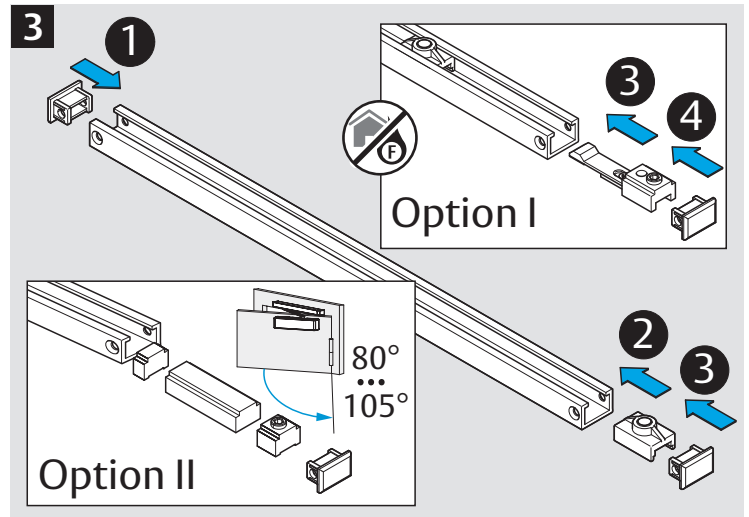
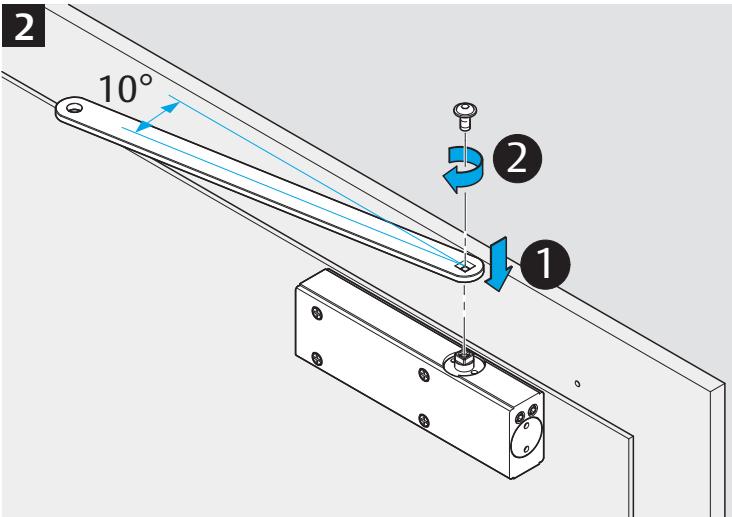
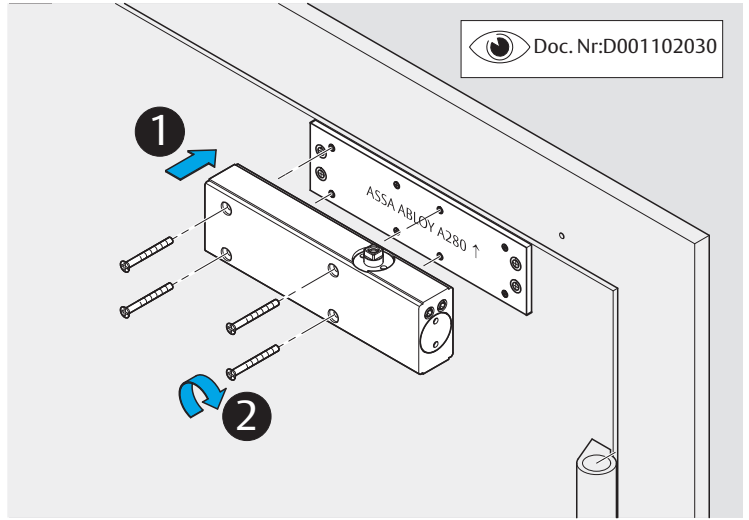
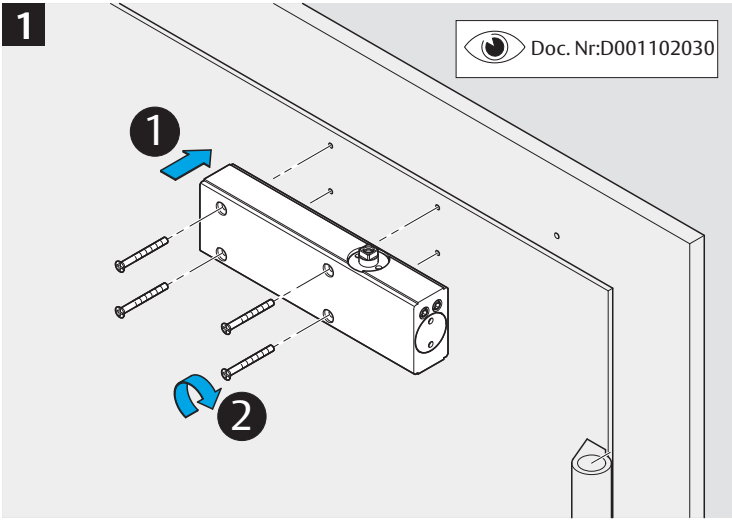
1x

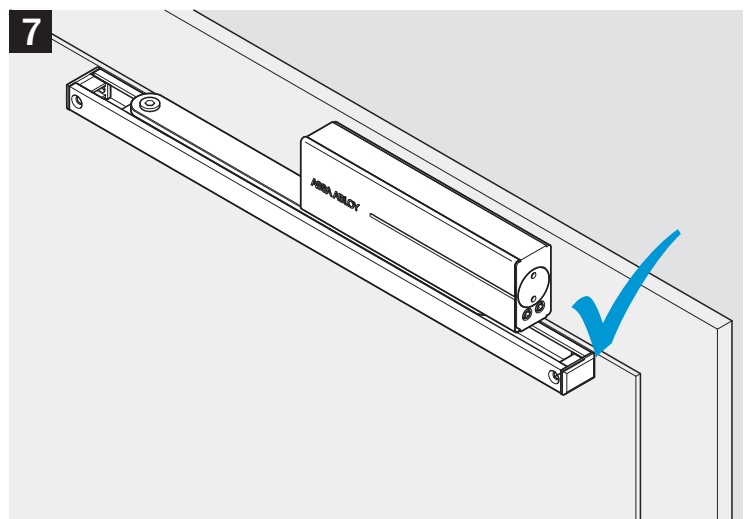
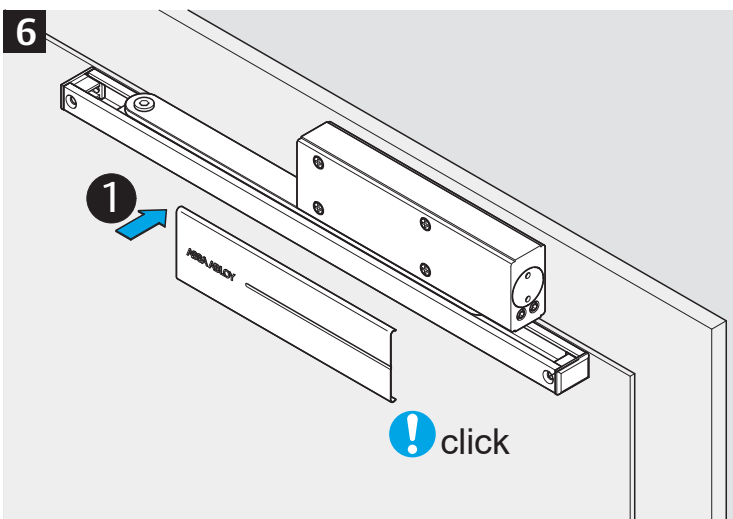
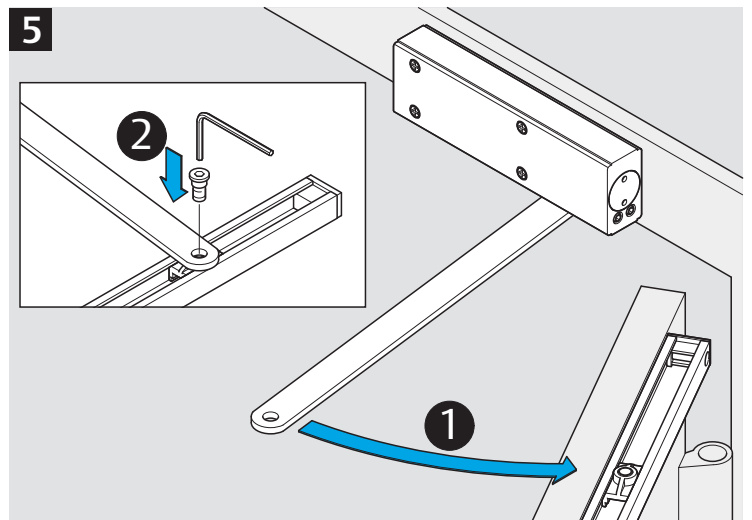
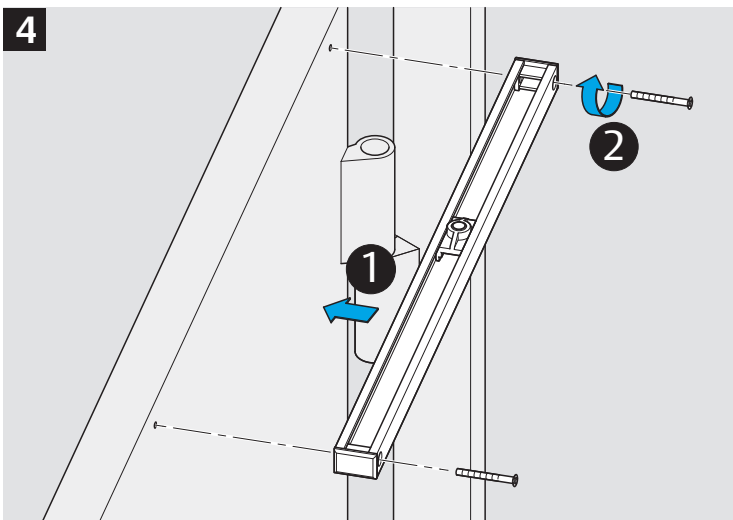
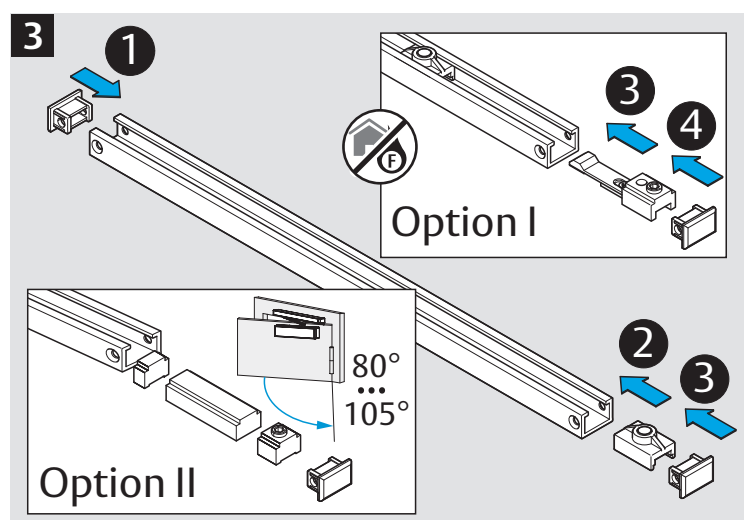
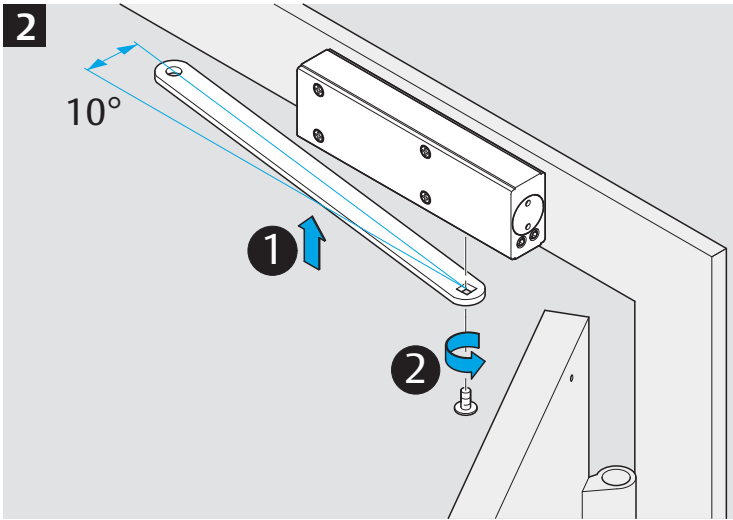
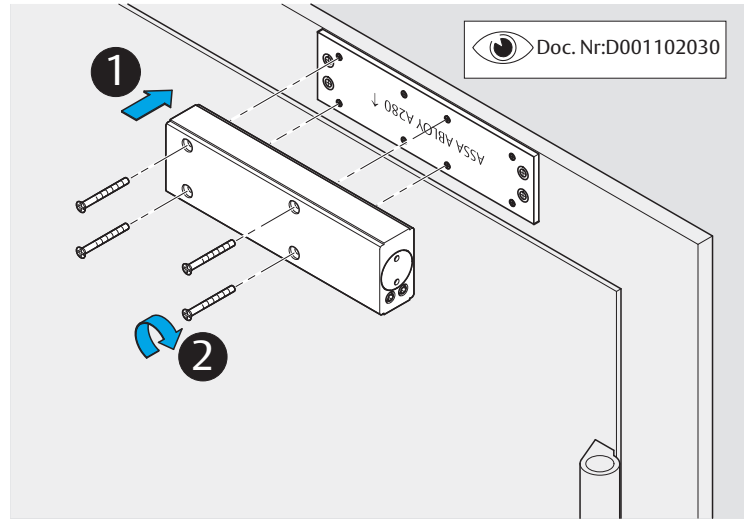
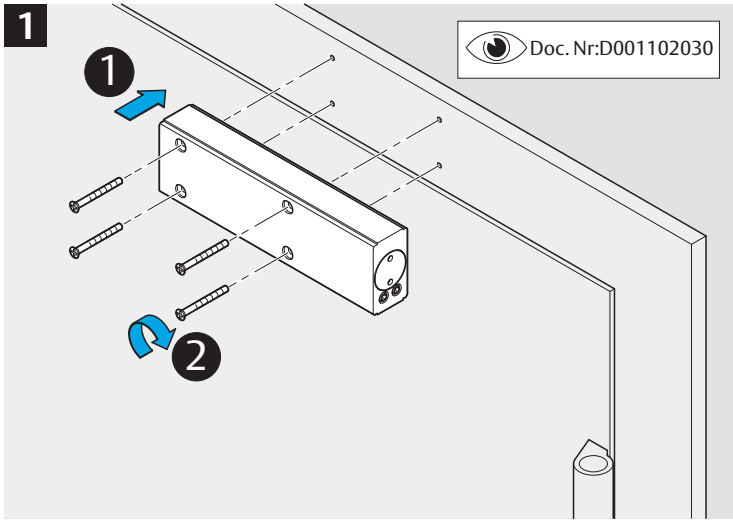
4x

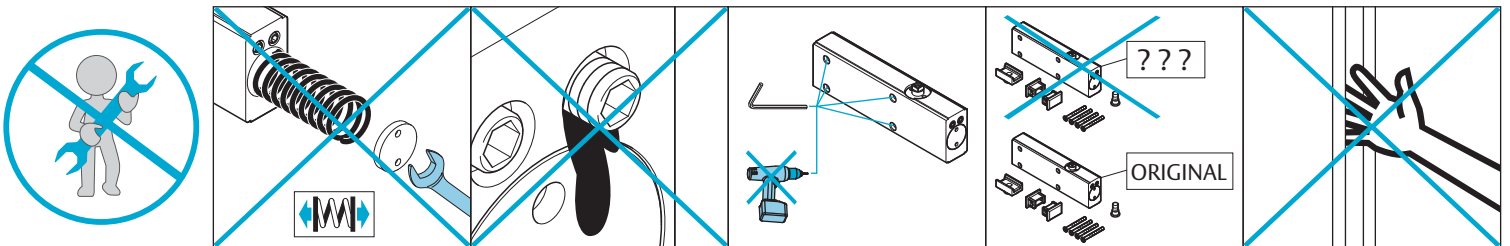
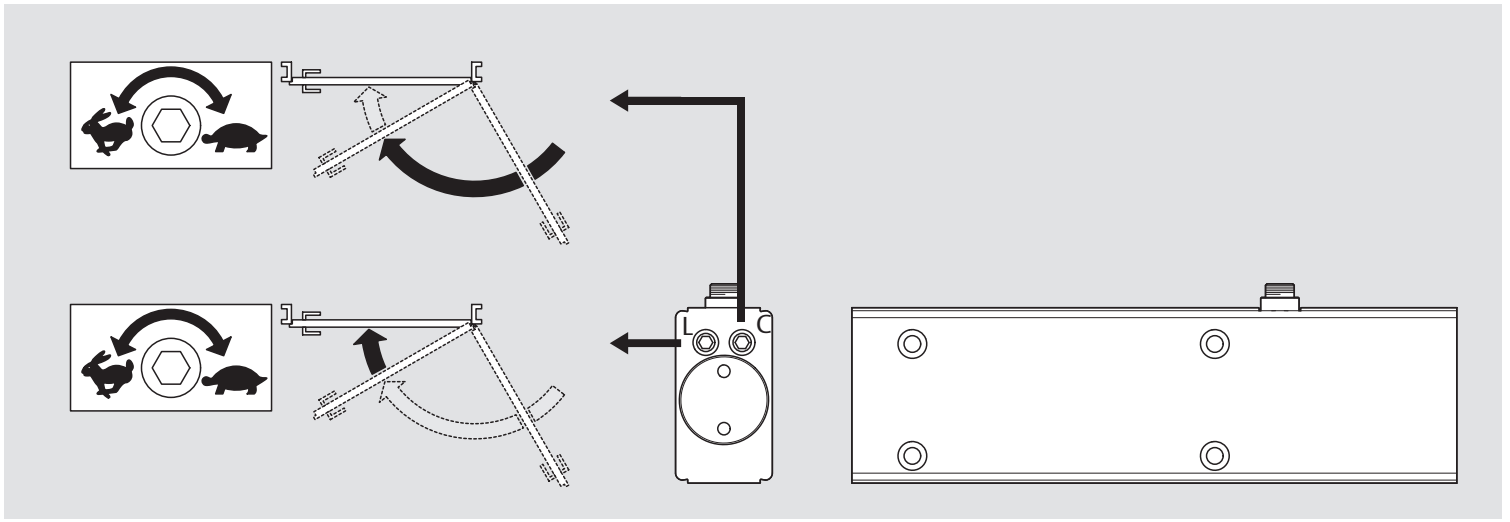
4x

1x

1x







**ASSA ABLOY**

Abloy Oy

P.O.Box 108  
 80101 Joensuu  
 FINLAND  
 Tel.: +358-20 599 2501  
 Fax: +358-20 599 2209  
 www.assaabloy.com  
 www.abloy.com/dop

15.12.2020