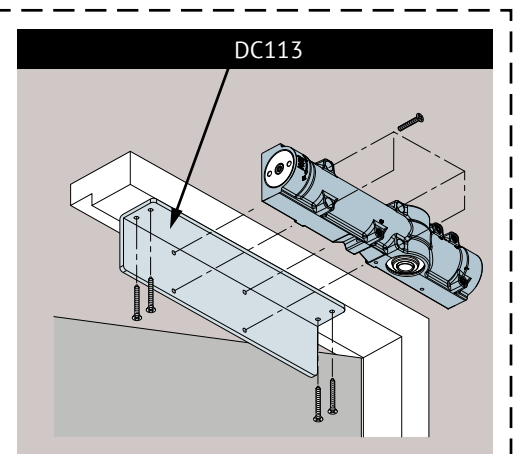
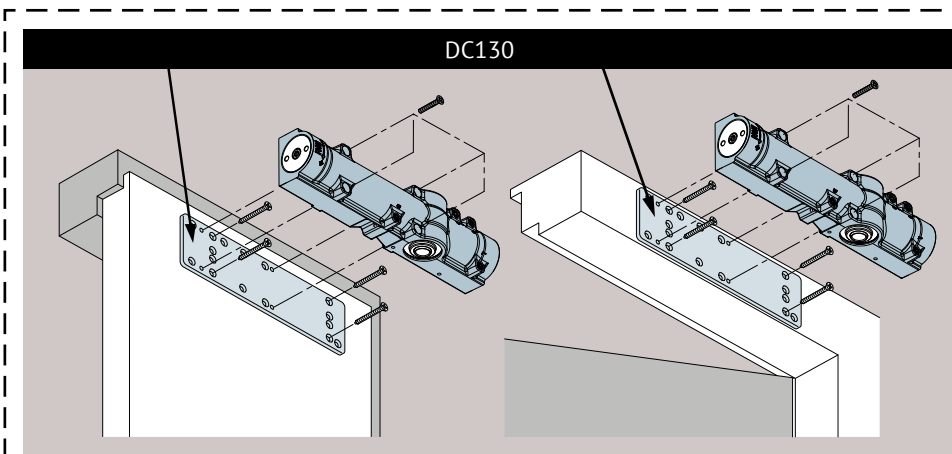
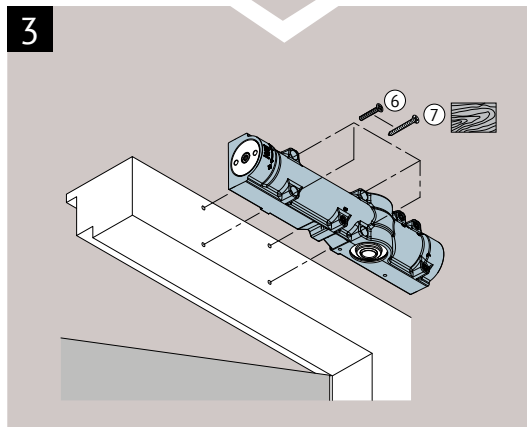
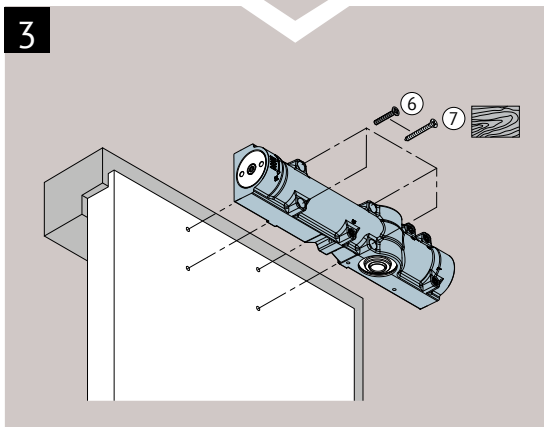
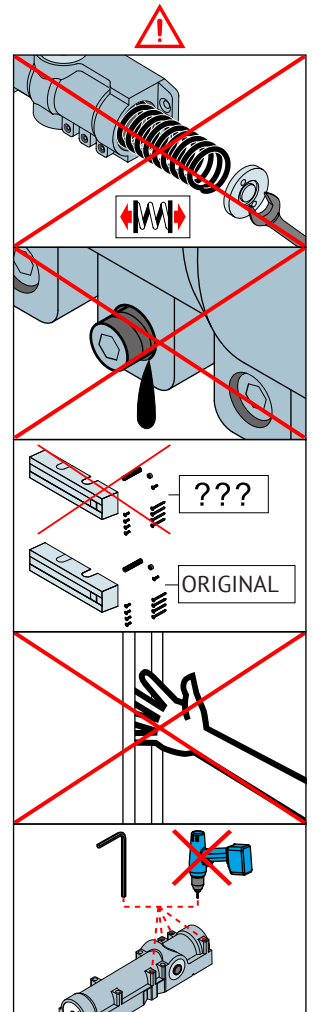
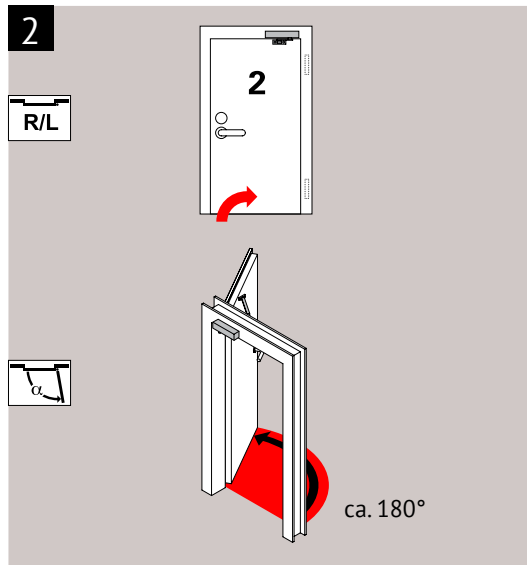
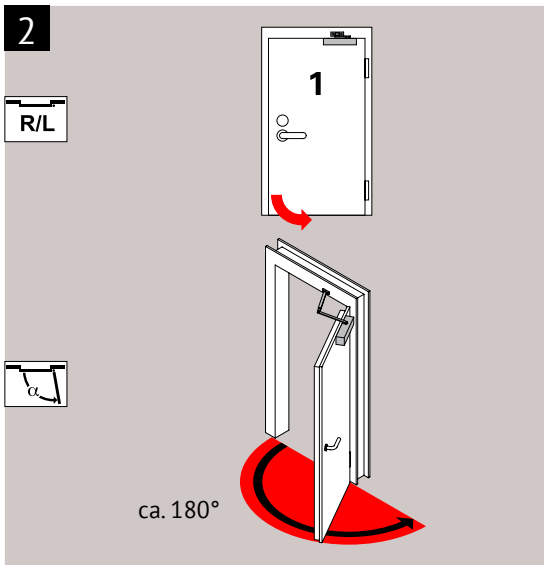
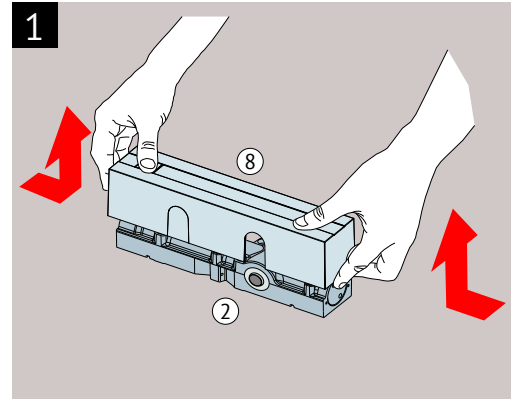
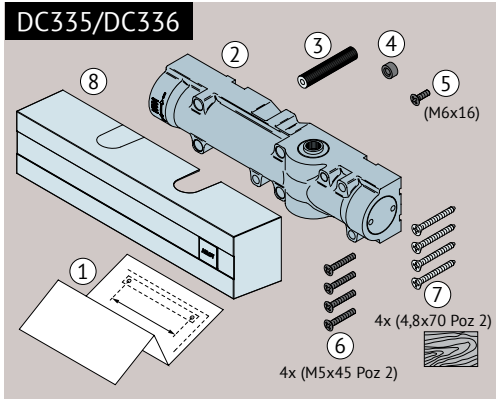
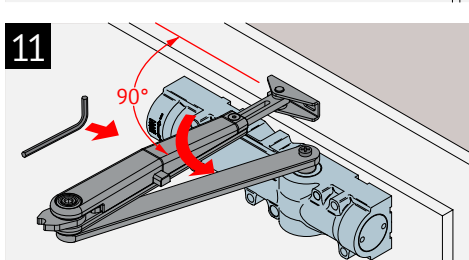
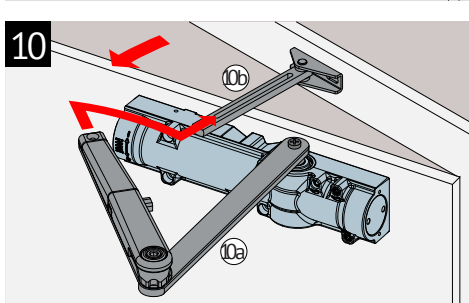
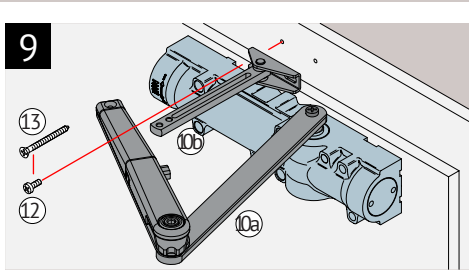
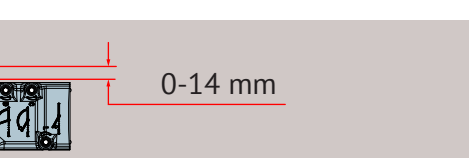
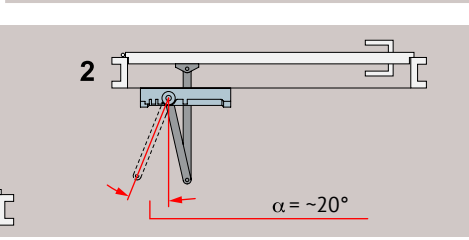
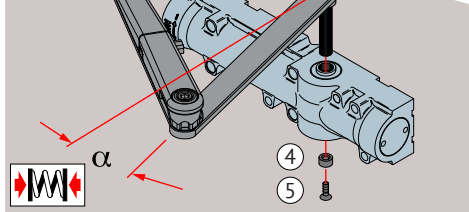
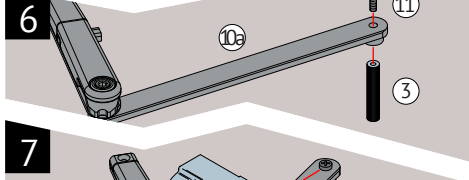
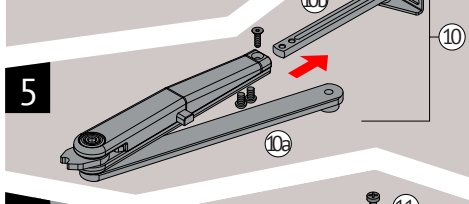
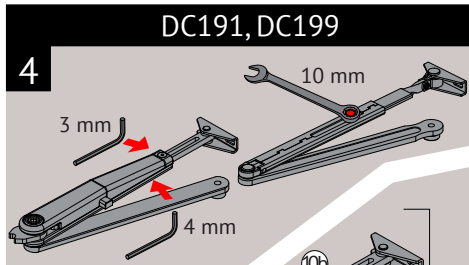
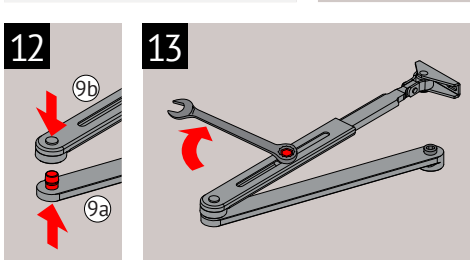
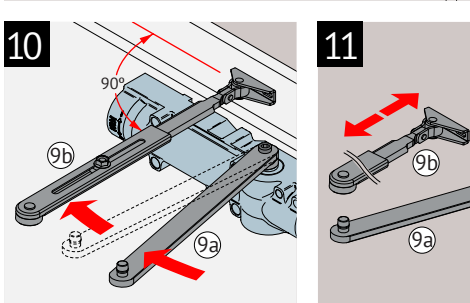
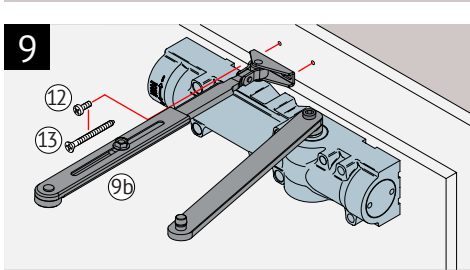
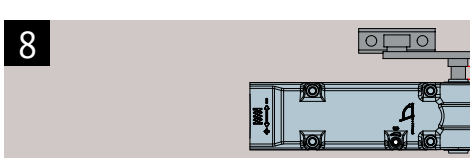
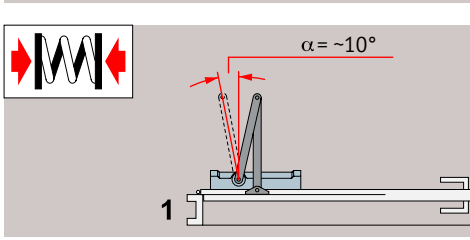
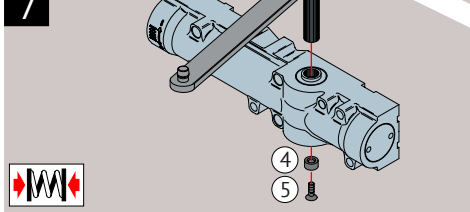
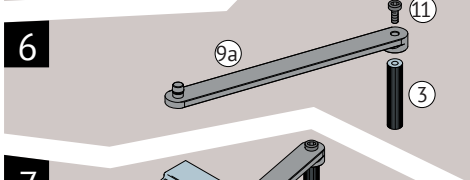
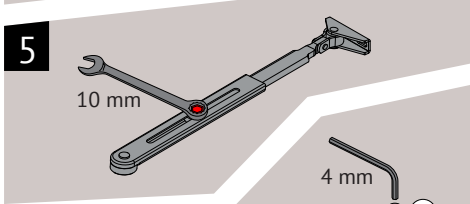
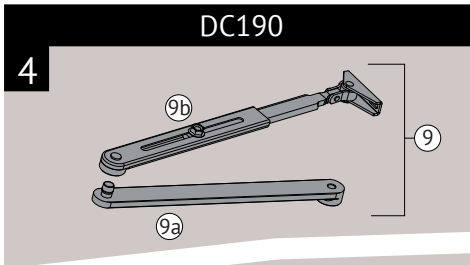


DC335/DC336 + DC190 / DC199 / DC191

FP5200 +ARS190/ ARS191





14 12

5 mm

3 mm

EN	3	4	5	6
DC335	1	6	12	-
DC336	0	3	6	12

15 13

90°

L C B

16 14

0-14 mm

DC335 + DC190/DC199

CE	Abloy Oy, PO Box 108 80101 Joensuu, Finland	16						
	DC335	EN 1154:1996/A1:2002/AC:2006 1121-CPR-AD5244	4	8	5 3	1	1	3
Dangerous substances: None								

www.abloy.com/dop

DC336 + DC190/DC199

CE	Abloy Oy, PO Box 108 80101 Joensuu, Finland	16						
	DC336	EN 1154:1996/A1:2002/AC:2006-02 1121-CPR-AD5245	4	8	6 3	1	1	3
Dangerous substances: None								

www.abloy.com/dop

9315019 16.5.2018

