



YLI ELECTRONIC

# Mini magnetic lock

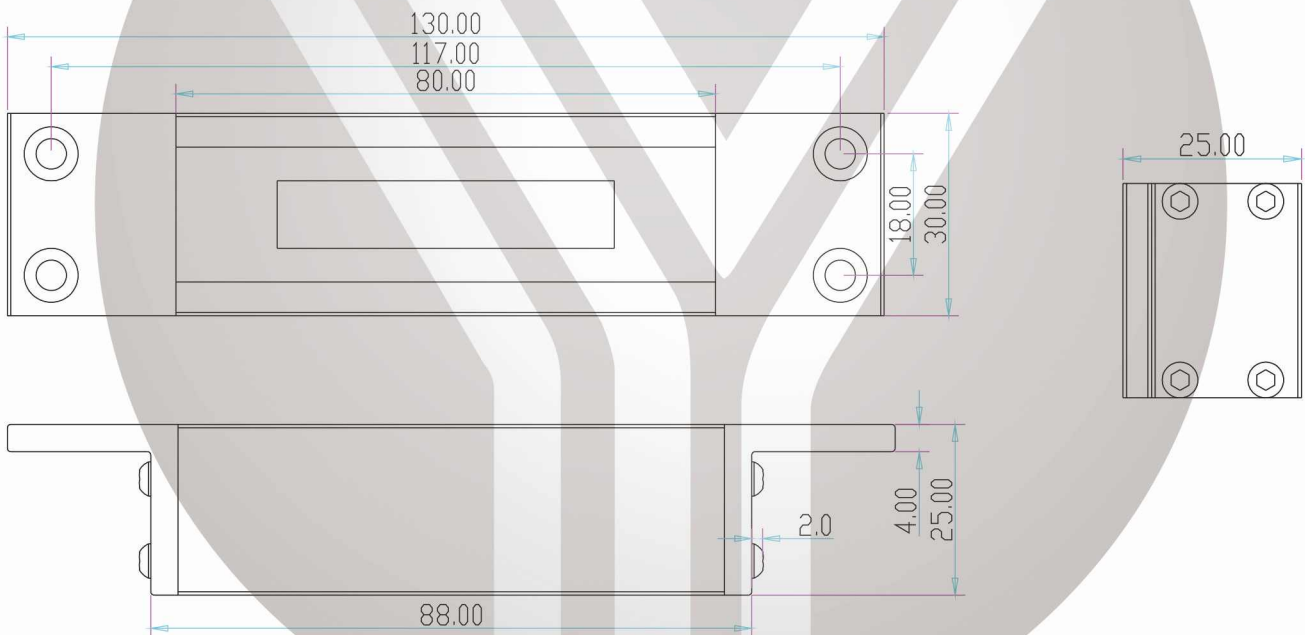
Model: YM-60M



## Specification

<b>Dimension</b>	130Lx30Wx25H(mm)
<b>Current</b>	140mA±10%
<b>Voltage</b>	DC12V(DC24V need order)
<b>Holding force</b>	60kg(120Lbs)
<b>Operating temp</b>	-10~+55℃
<b>Weight</b>	0.6kg

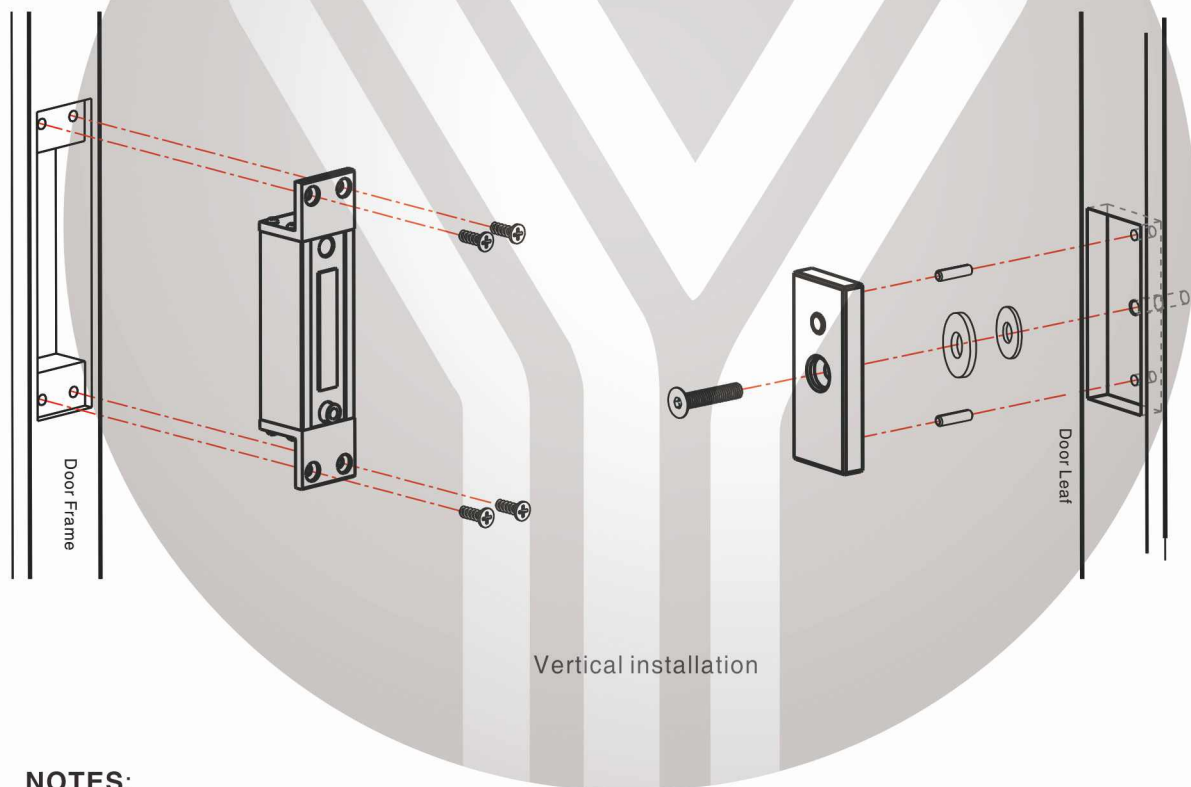
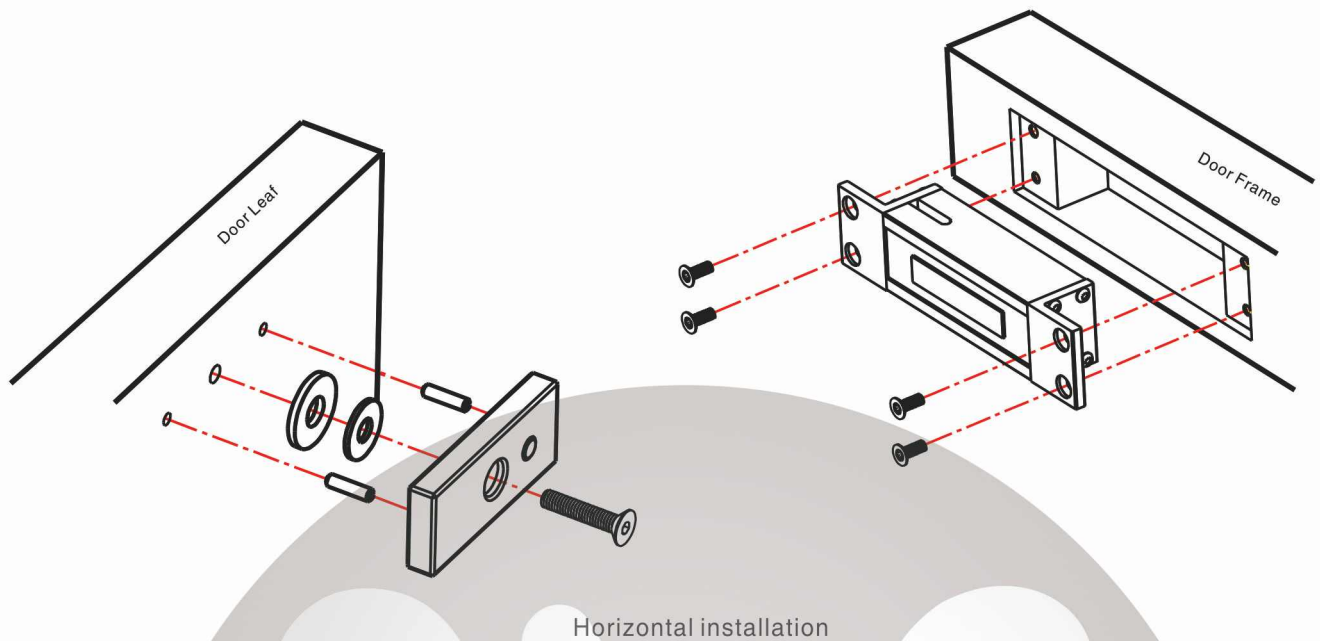
## Dimension(unit:mm)



## Circuit board diagram

Red  +

Black  -



## NOTES:

Please read specification before installing magnetic lock

- A. Handle the equipment carefully. The holding force can be reduced by damaging the lock body or armature plate.
- B. The magnetic lock should be fixed tightly on the door frame and the armature plate on the door leaf. Kit provided allows the armature plate to pivot its center, thus compensating misalignment caused by other factors.
- C. Template can only be used with the door in normally closed circumstance.
- D. Please fix screws of magnetic lock firmly.
- E. Detect signal of door state: the limit of reed switch and dry contact is 0.5A/30VDC. Don't overload.