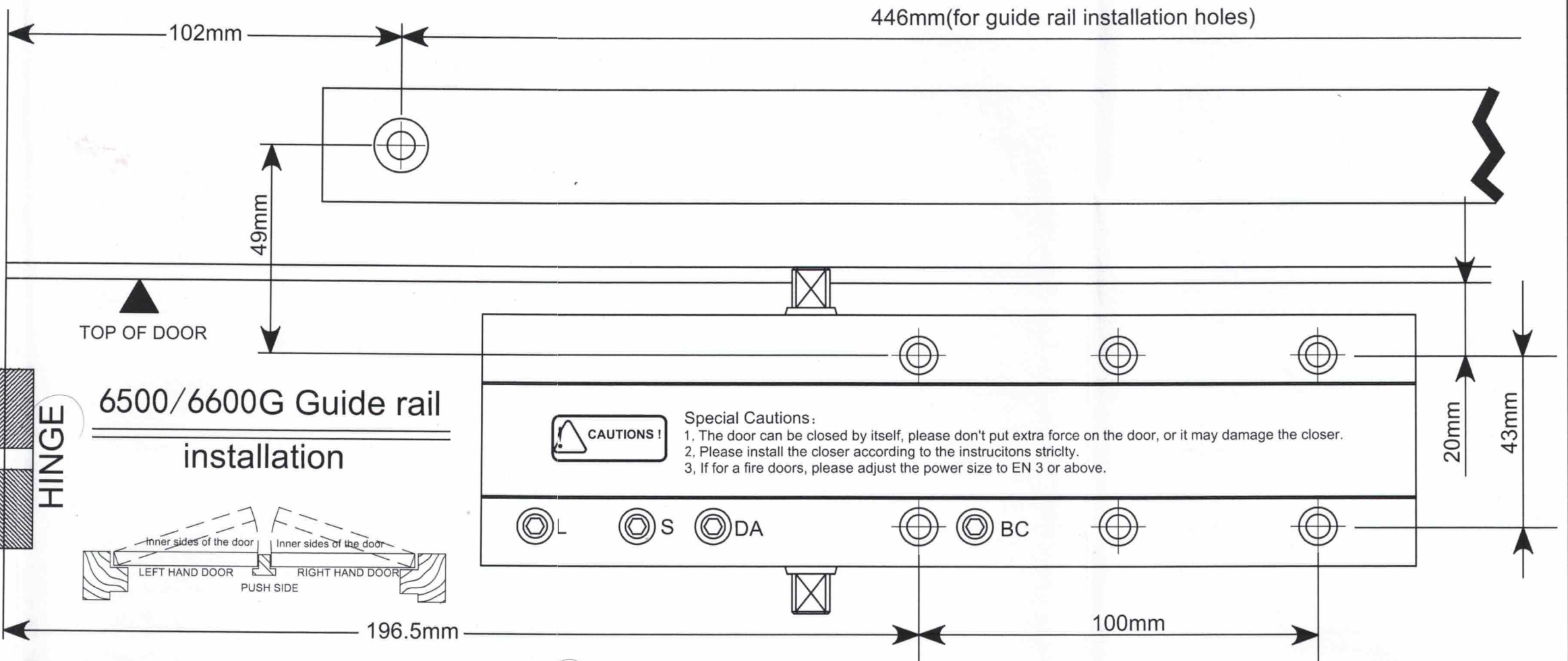
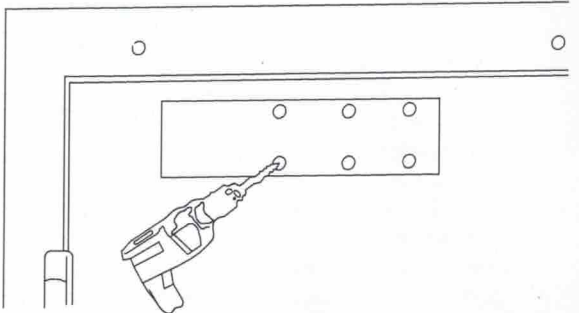
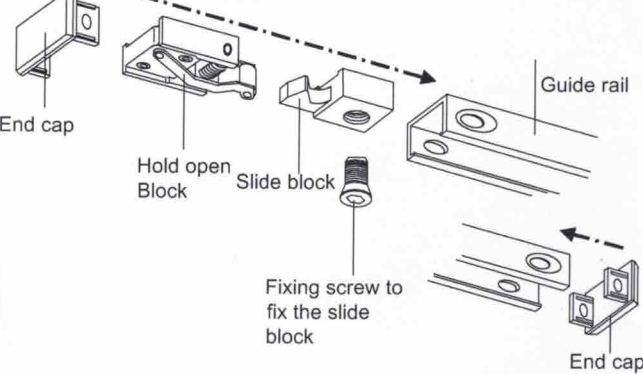


Guide rail install

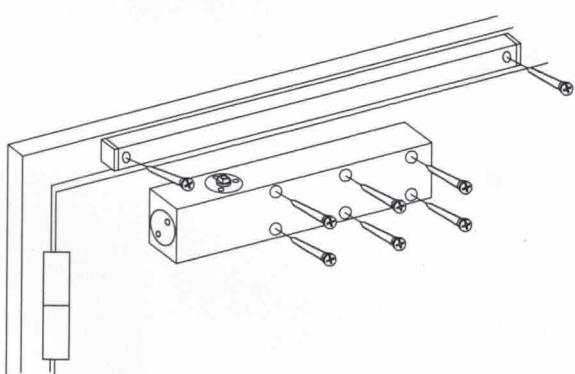
**1** Please choose the way you want to install, and drilling a centre hole according to the drawing.



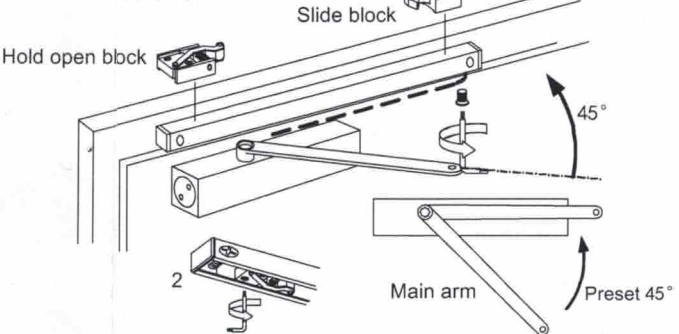
**2** Please Assemble the extra parts as following sequence into the track. (These parts are in the screw pack)



**3** Install the door closer and track according to the drawing.



**4** 1. Put the main arm on the upper shaft make sure the included angle is 45° between the main arm and door. Then preset the main arm parallel the door and fixed the main arm with Slide block in the track with screws.



2. Adjust the position for the hold open block in the track in order to adjust the hold open angle. If you don't want the hold open function, please don't fix the hold open block is ok.

**5** Adjusting the closing (S), Latching (L) speed, and BC, DA ( optional) speed.

