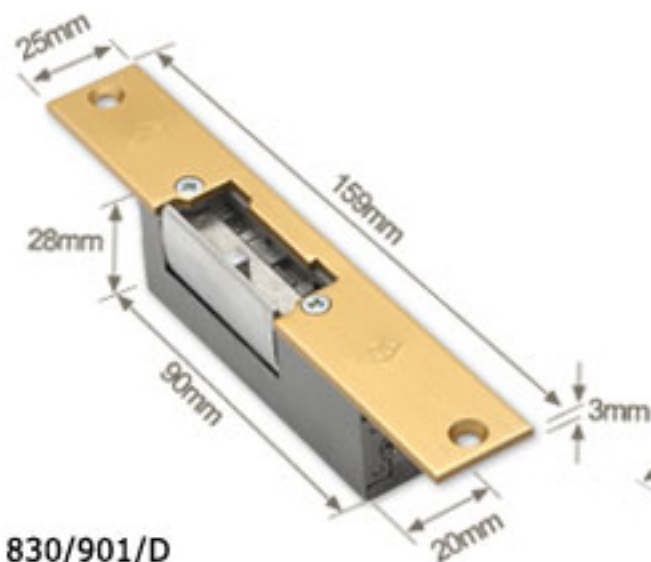
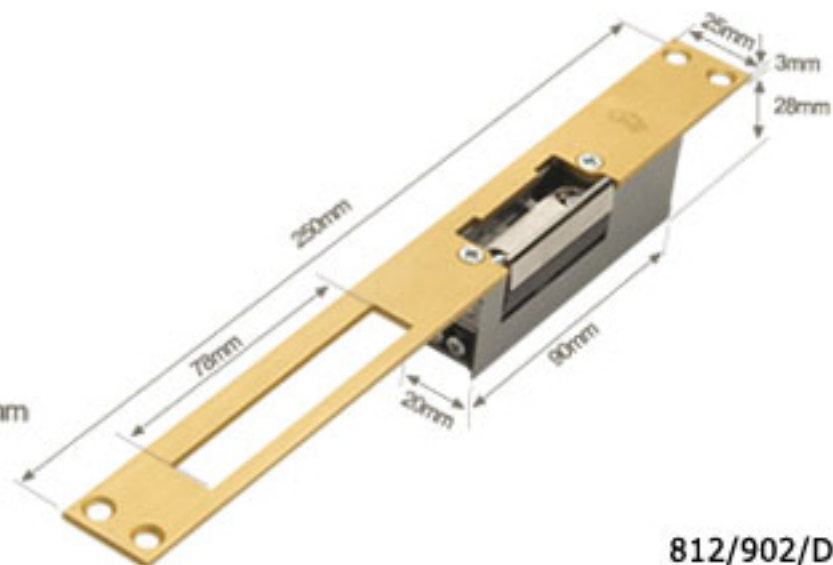


JIS - SERIE 800 The most economical series, appropriate for wood carpentry.



830/901/D



812/902/D

Appropriate Front plates

| | | |
|--|---|-----------------|
| | G | Grey steel |
| | B | Alum. Bronze |
| | C | Alum. white |
| | D | Alum. gold |
| | P | Alum. silver |
| | X | Stainless steel |

| | |
|-----------------|------------------|
| | Fixed latch |
| 810/820/830/840 | |
| 833/843 | |
| | Adjustable latch |
| 812/822/832/842 | |
| 834/844 | |

| | |
|--|--------|
| | Lock |
| | Unlock |

| | |
|---------|-----------------------------------|
| 8 3 | Internal single pulse. |
| 833/843 | |
| 8 4 | Internal single pulse. Adjustable |
| 834/844 | |

| | |
|---|---------|
| | 810/812 |
| Opens only during electric pulse | |
| | 820/822 |
| Opens only during electric pulse. Manual releasing lever. | |
| | 830/832 |
| Released and ready for opening only once on electric pulse | |
| | 840/842 |
| Released and ready for opening only once on electric pulse. Manual releasing lever. | |



| | | |
|--|-----------|----------|
| | 12V / AC: | Standard |
| | 24V / AC: | Optional |
| | 12V / DC: | Optional |
| | 24V / DC: | Optional |